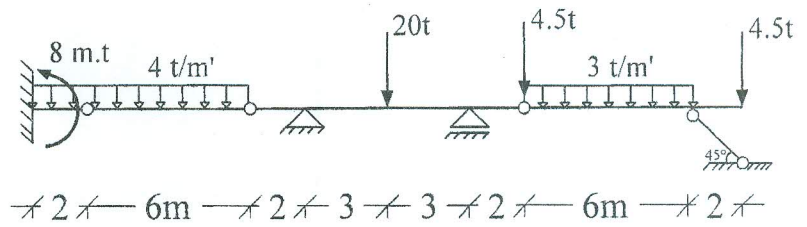




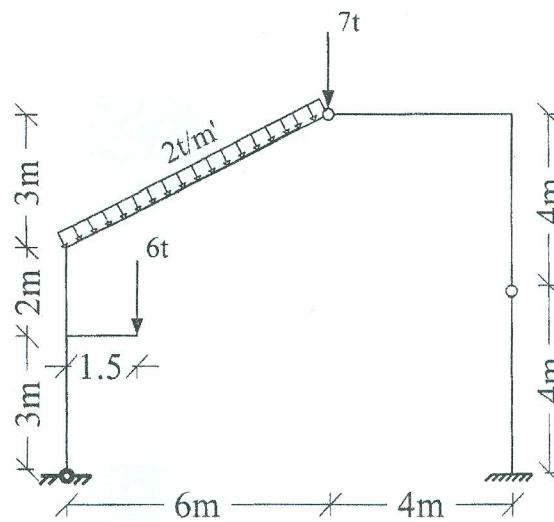
problem (1) :(14 marks)

For the shown beam:
 -Draw S.F.D & B.M.D.



problem (2) :(22 marks)

For the shown structure ,draw N.F.D , .S.F.D .and B.M.D .



problem (3) :(18 marks)

For the shown truss :
 -Find graphically the force in all members (.stress diagram.)
 - Check the force in the marked members analytically .

