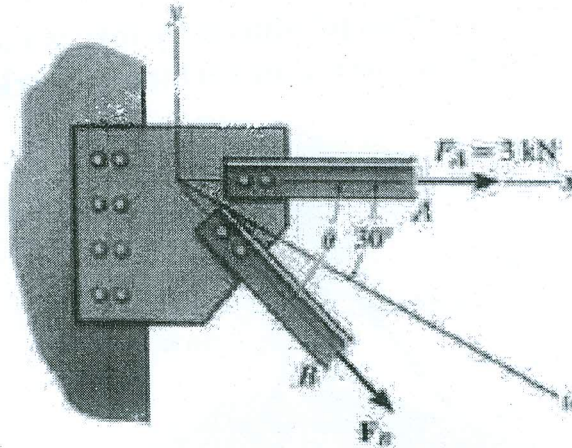
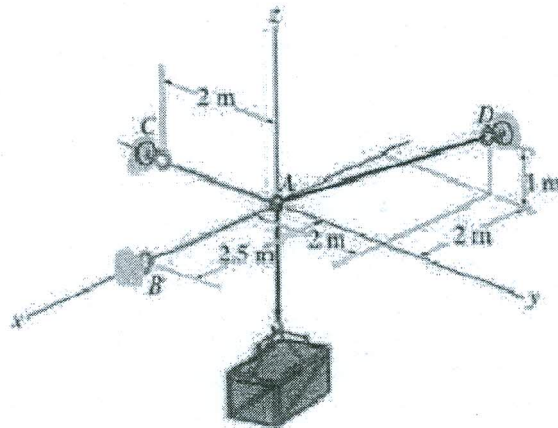




1-If the resultant force is required to act along the positive u axis and have a magnitude of 5 kN, determine the required magnitude of F_B and its direction θ . (7 Marks)



2-Determine the tension in the cables in order to support the 100 kg crate in the equilibrium position shown. (7 Marks)



3-Determine the resultant moment produced by forces F_B and F_C about point O . Express the result as a Cartesian vector. (8 Marks)

