

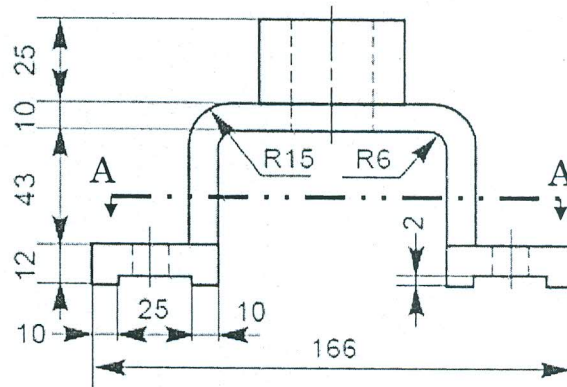
Answer the following questions: (All dimensions are in mm).

USE SUITABLE SCALES FOR DRAWINGS (if necessary).

Question 1: (30 Marks):

For figure (1), Draw the followings:

1. Side View to the right.
2. Sectional Front View.
3. Sectional Top View at A-A



Question 2: (20 Marks):

Draw the isometric shown in figure (2).

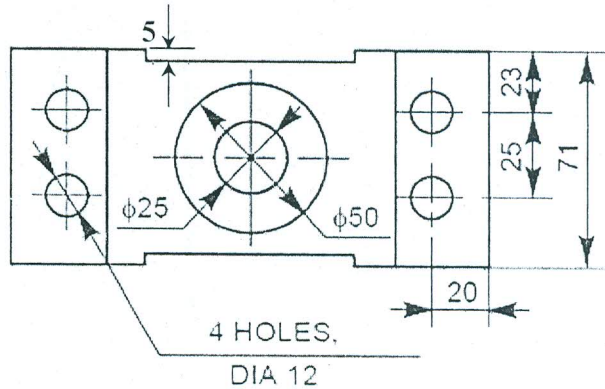


Figure (1)

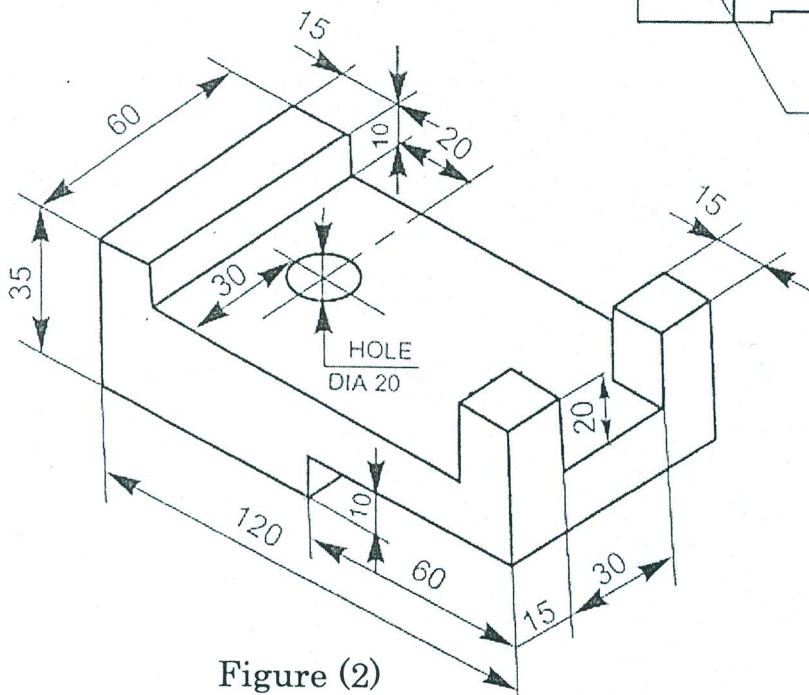


Figure (2)

Good Luck
Dr. Ahmed Galal