



Answer the following questions: (All dimensions are in mm).

ASSUME REASONABLE VALUES FOR ANY MISSING DATA, AND USE SUITABLE SCALES FOR DRAWINGS (if necessary).

**Question 1: (15 Marks):**

Draw figure (1).

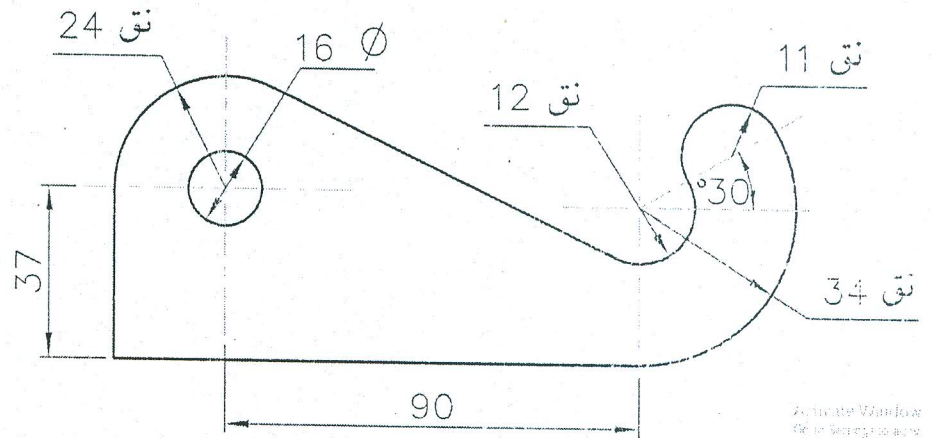


Figure (1)

**Question 2: (35 Marks):**

For Fig. (2):

- Draw the three main views.
- Draw the isometric.

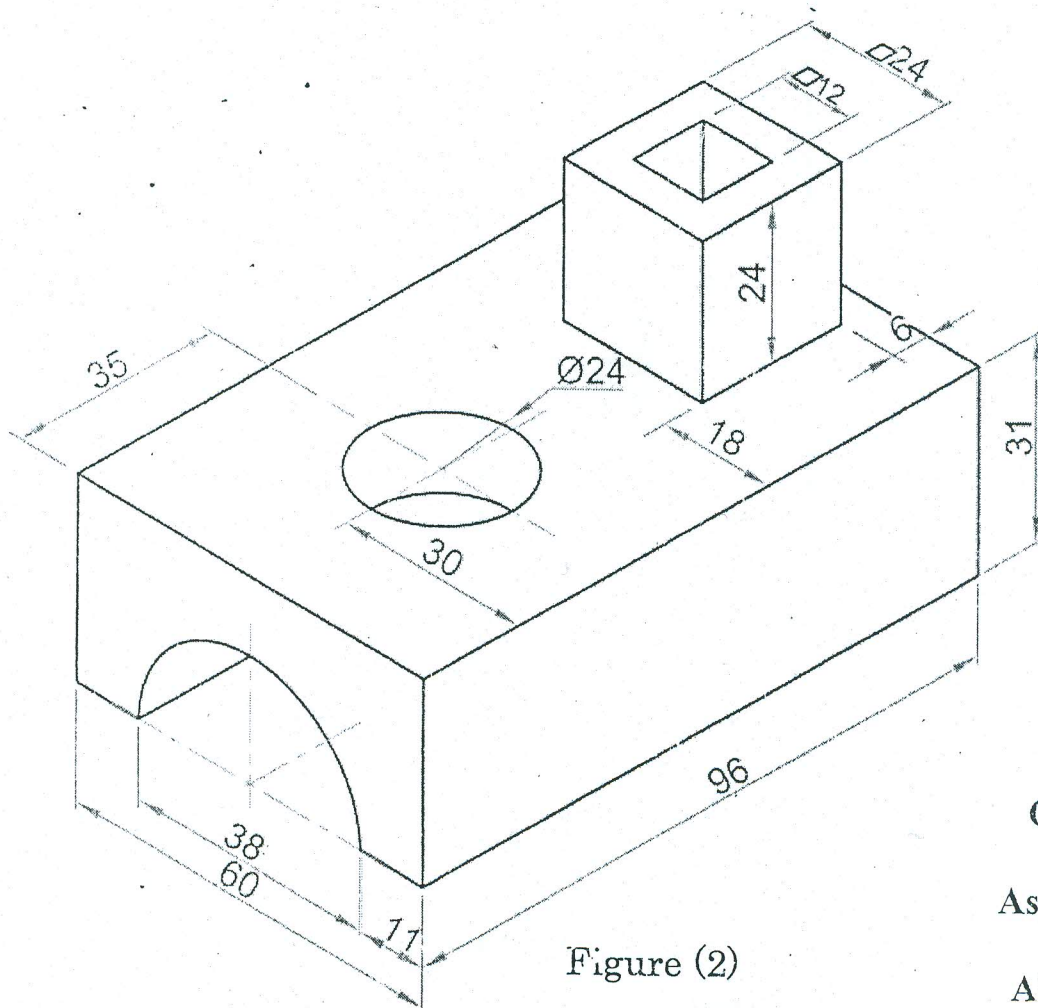


Figure (2)

Good Luck

Associate Prof.

Ahmed Galal