

Mansoura University, Faculty of Engineering Specific Program (BCE)		Final Exam, May, 2015 Full Mark:50 & Time: 3 Hours Engineering Drawing
--	---	--

Q1: For figure (1), draw: a) Sectional Plan at A-A. b) Sectional Front at B-B. c) Sectional Side View at C-C. [25Marks]

Q2: For figure (2), draw the Isometric shown in the figure. [10Marks]

Q3: For figure (3), draw: a) Plan View. b) Front View. c) Sectional Side View at line of symmetry. [15Marks]

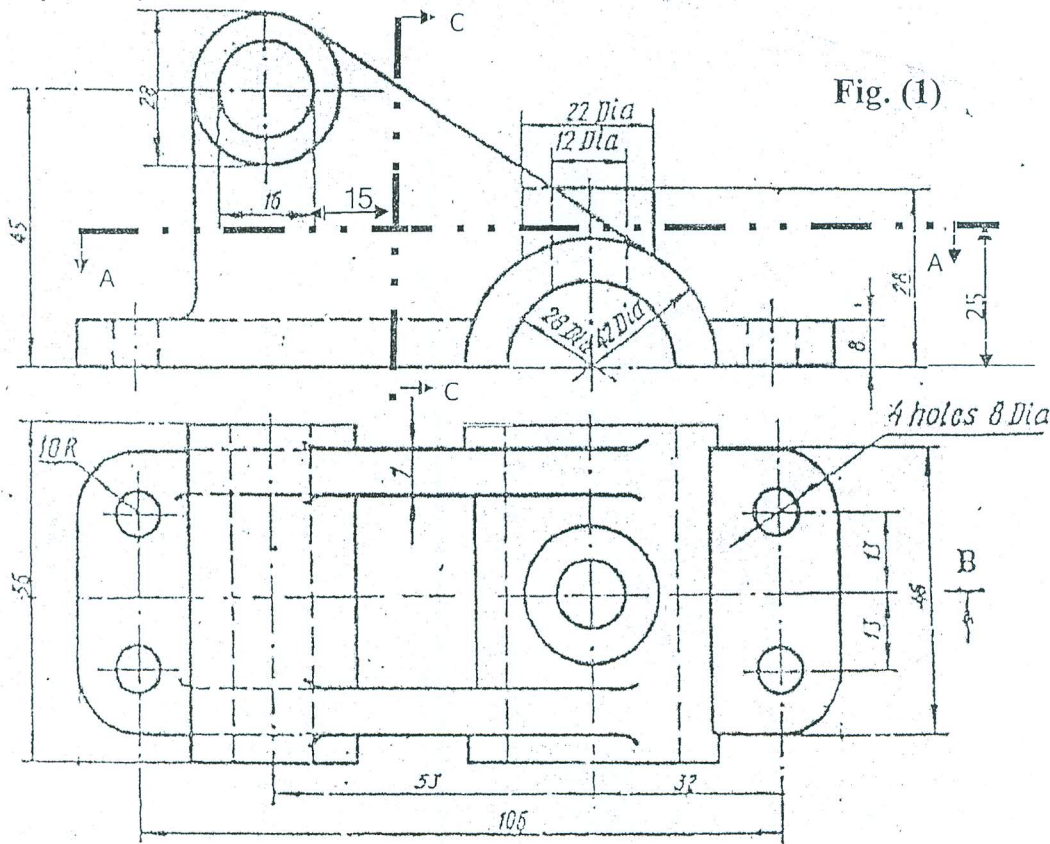


Fig. (1)

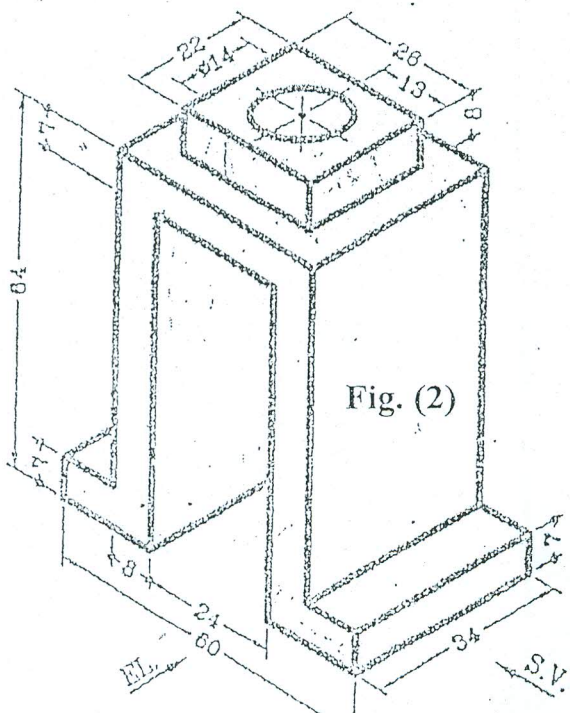


Fig. (2)

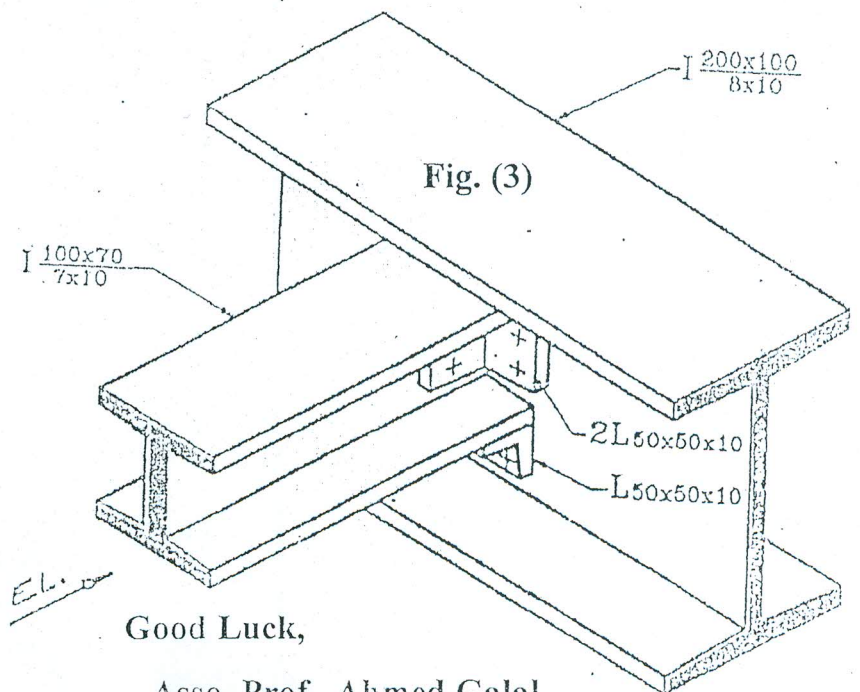


Fig. (3)

Good Luck,

Asso. Prof. Ahmed Galal